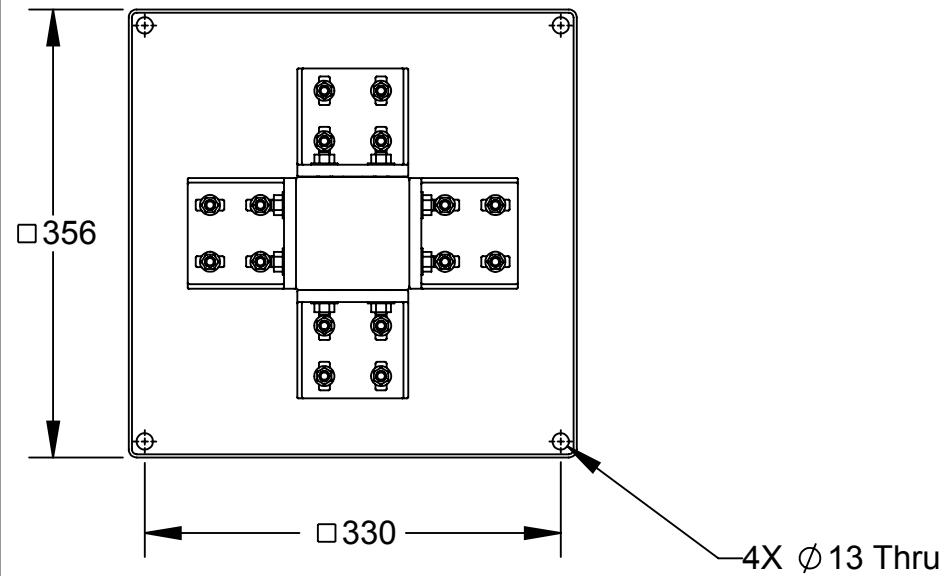
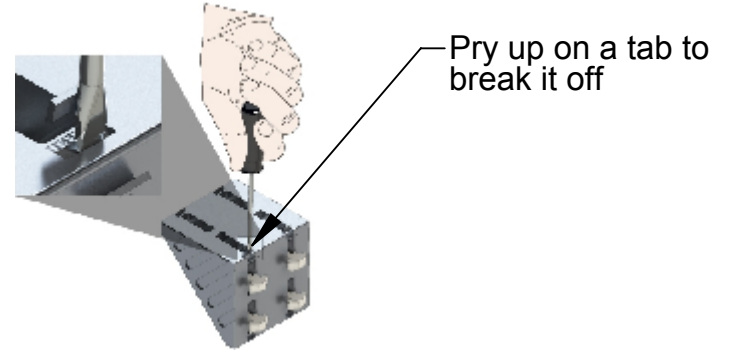
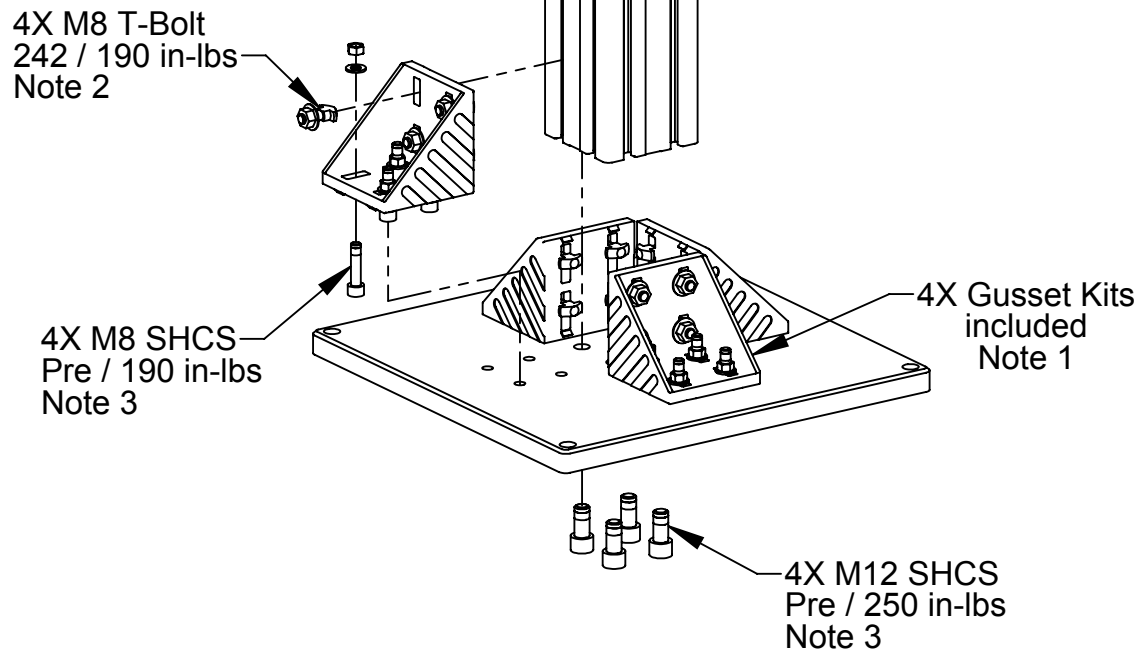
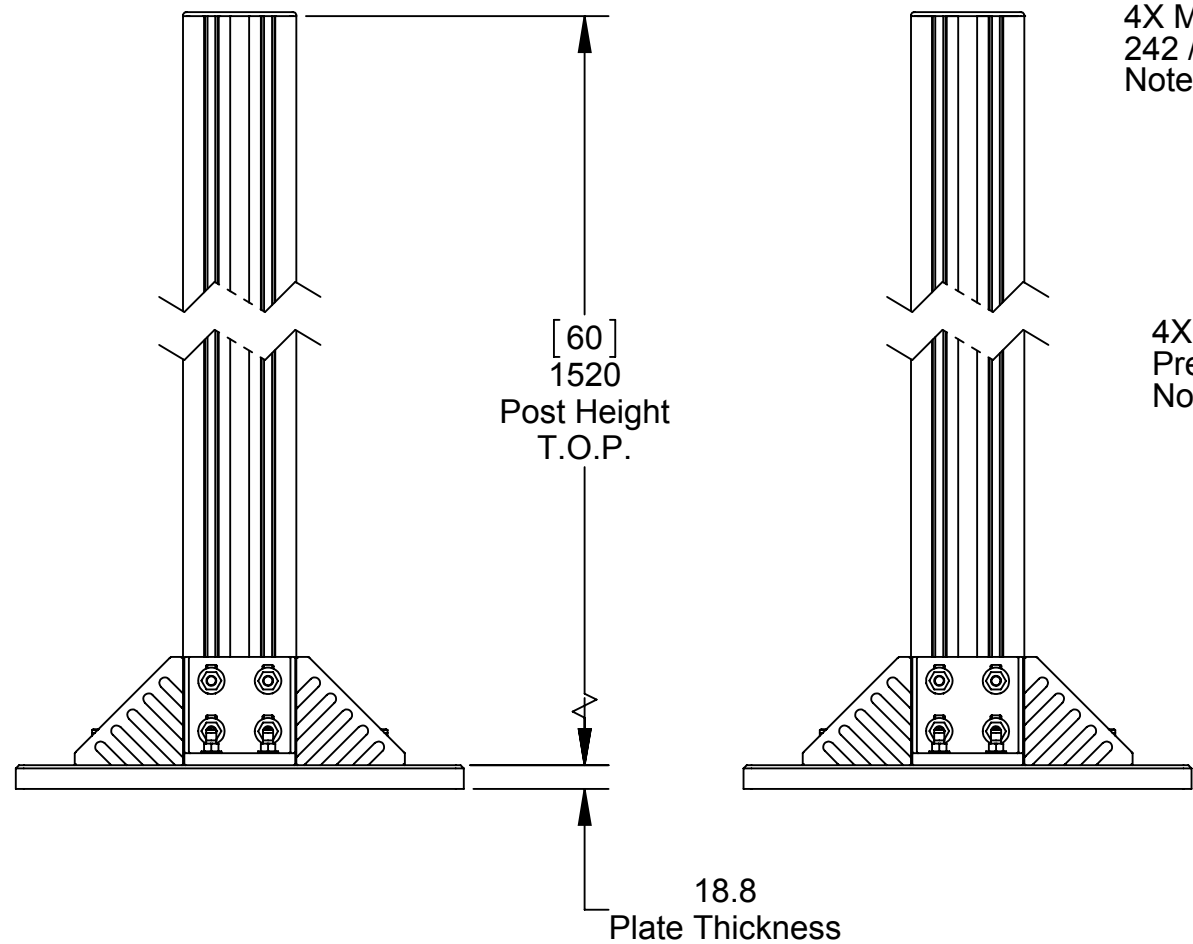
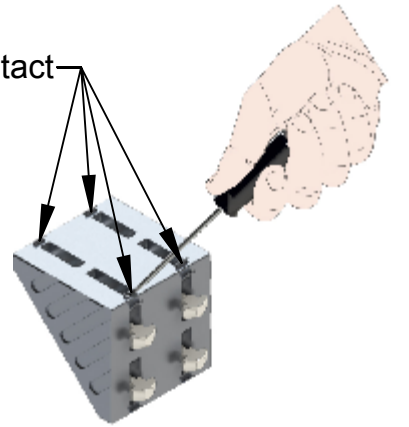


Rev.	Description	Initiator	Date
02	ECO 13492: Added new Note #1 and renumbered existing Notes; Changed Note #'s on callouts; Added images & Notes detailing tab removal; "Kit" added to Post Module description.	MSD	10/27/2015



Remove the tabs on the Gusset face that will contact the Base assembly



Tab Removal Instructions:

1. Insert a screw driver into the slot under the tab.
2. Pry up on the tab to break it off.
3. Remove any burrs that may not allow flush contact to the base assembly.

- Notes:**
1. Customer to remove Gusset tabs from the mating surface that contacts the base assembly.
 2. Customer to use Loctite or similar thread locker and torque fasteners to listed torque value.
 3. Customer to install pre-applied fasteners and torque to listed torque value.

ITEM NO.	QTY	PART NUMBER	DESCRIPTION
1	1	9120-TSM-PM-3353	TSM Post Module, 1520mm (60") Post Height - Kit

NOTES: UNLESS OTHERWISE SPECIFIED. DO NOT SCALE DRAWING. ALL DIMENSIONS ARE IN MILLIMETERS.			1031 Goodworth Drive, Apex, NC 27539, USA Tel: +1.919.772.0115 Email: info@ati-ia.com Fax: +1.919.772.8259 www.ati-ia.com ISO 9001 Registered Company	
	DRAWN BY: D.Brewer, 11/07/13 CHECKED BY: J. Winterroth, 11/22/13		TITLE TSM Post Module, 1520mm (60") Post Height	
	PROJECT #	SHEET 1 OF 1	SCALE	REVISION
			1:6	02
			SIZE	DRAWING NUMBER
			B	9630-20-TSM-PM-3353

PROPERTY OF ATI INDUSTRIAL AUTOMATION, INC. NOT TO BE REPRODUCED IN ANY MANNER EXCEPT ON ORDER OR WITH PRIOR WRITTEN AUTHORIZATION OF ATI.